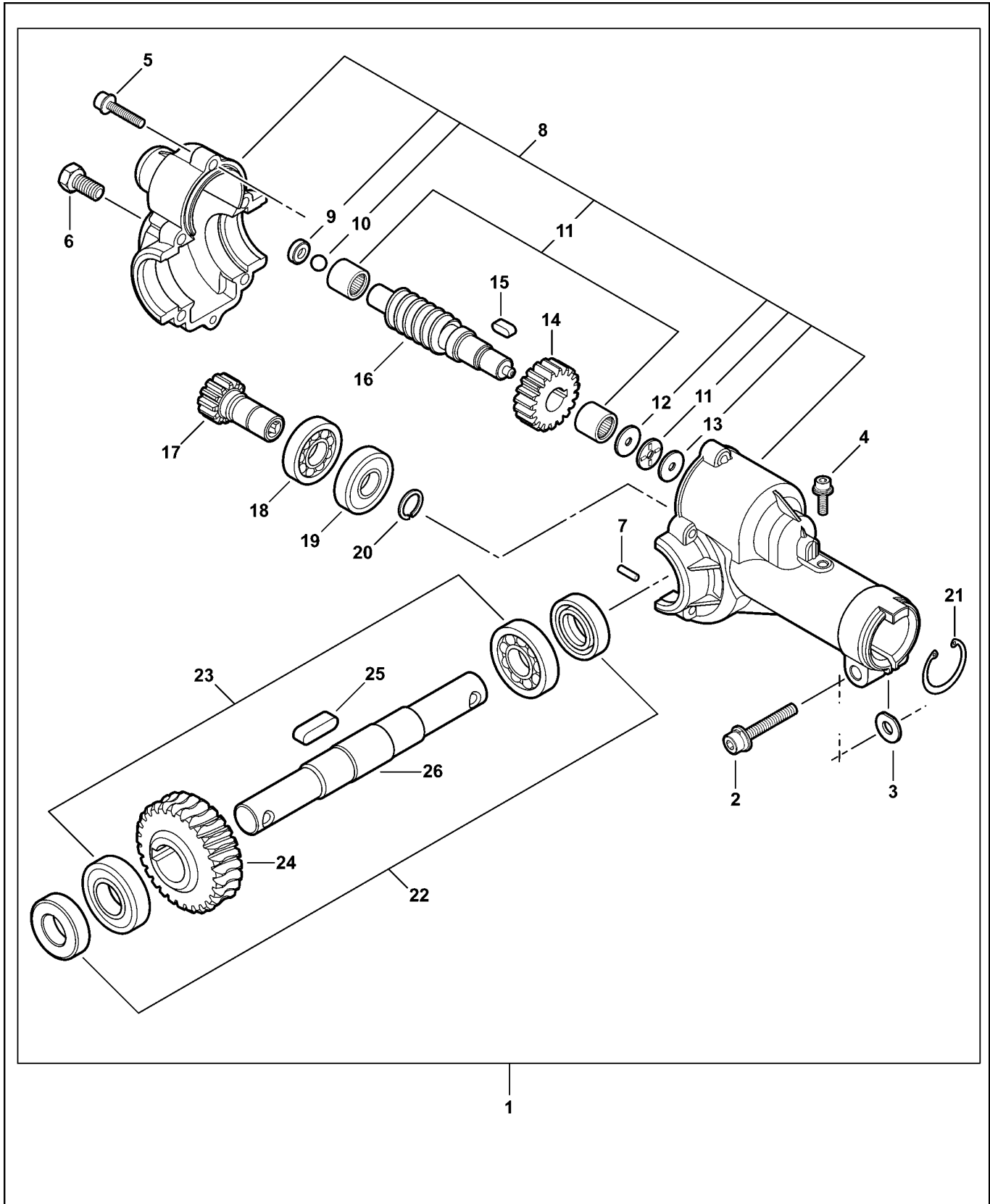
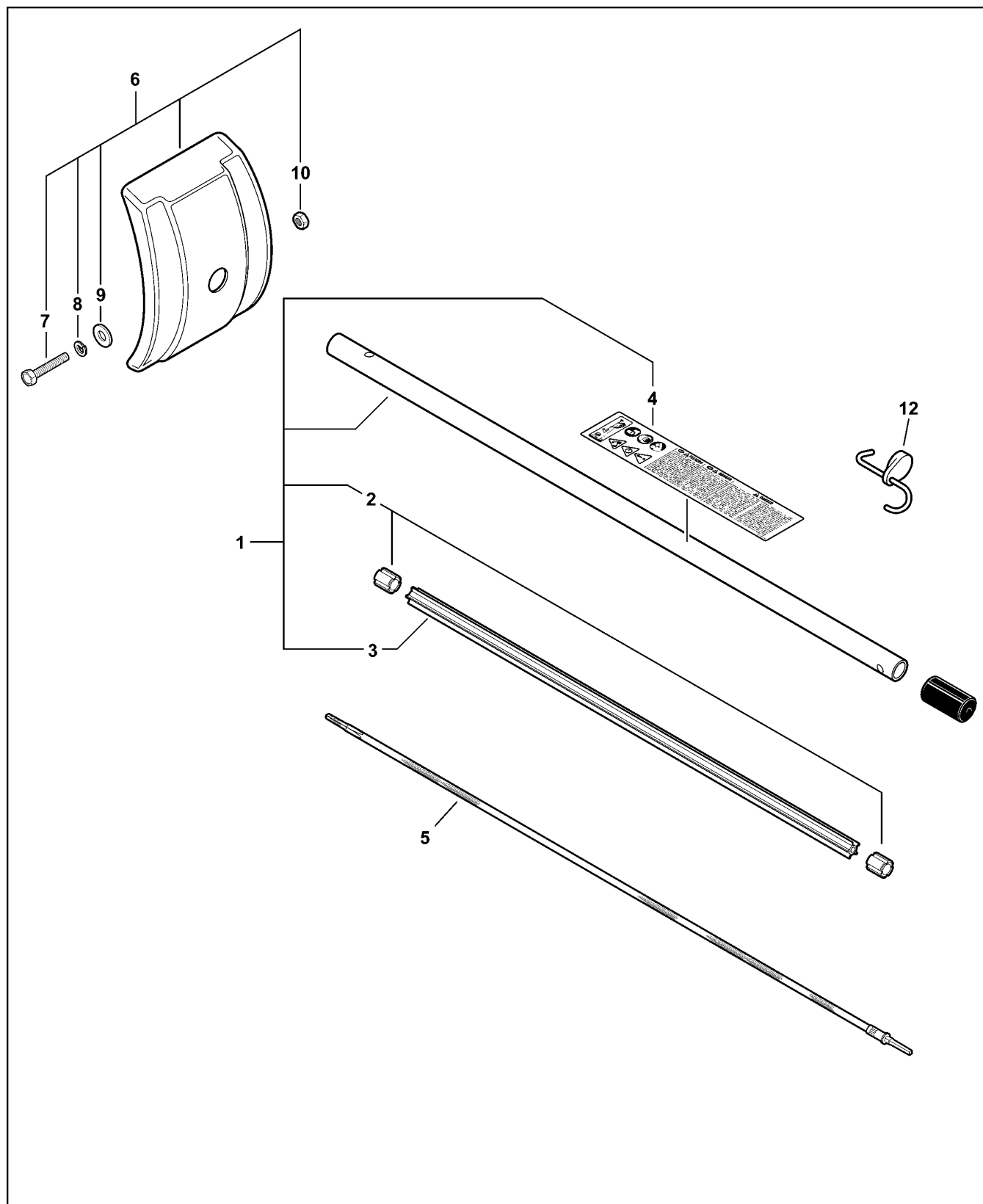


KEY	LV	PART NUMBER	Q'TY	DESCRIPTION	REMARKS
1		605612-11050	2	CLIP, PIN	
2		605611-11050	2	PIN	
3		900100-06010	6	BOLT 6*10	
4		900605-00006	6	WASHER, SPRING 6	
5		690010-11050	2	BLADE (BL)	
6		605610-11050	2	HUB, BLADE (BL)	



KEY	LV	PART NUMBER	Q'TY	DESCRIPTION	REMARKS
1		C051-000290	1	CASE,GEAR	
2	+	900162-06030	1	BOLT, H.S. 6*30	
3	+	V340-000220	1	WASHER	
4	+	900162-05012	1	BOLT, H.S. 5*12	
5	+	900162-05020	5	BOLT, H.S. 5*20	
6	+	900100-08010	1	BOLT 8*10	
7	+	V622-000030	1	PIN,STRAIGHT 4	
8	+	P021-016400	1	GEAR HOUSING ASY	
9	++	V376-001040	1	SPACER	
10	++	V585-000030	1	BALL	
11	++	V555-000060	2	BEARING,NEEDLE 10	
12	++	V340-000230	2	WASHER	
13	++	V590-000010	1	BEARING,THRUST	
14	+	V650-000380	1	GEAR,SPUR	
15	+	V381-000010	1	KEY,WOODRUFF	
16	+	V652-000060	1	GEAR,WORM	
17	+	V650-000370	1	GEAR,SPUR	
18	+	900855-06901	1	BEARING, BALL 6901	
19	+	900857-06901	1	BEARING, BALL 6901	
20	+	900706-00012	1	CIRCLIP 12	
21	+	610335-21460	1	RING, RETAINING	
22	+	605416-11050	2	OILSEAL	
23	+	94003-06003	2	BEARING, BALL	
24	+	V653-000000	1	GEAR,WORM WHEEL	
25	+	V381-000000	1	KEY,WOODRUFF	
26	+	C534-000480	1	SHAFT, GEAR	



KEY	LV	PART NUMBER	Q'TY	DESCRIPTION	REMARKS
1		C050-001310	1	PIPE, MAIN	
2	+	610246-44730	2	STOPPER	
3	+	C507-000240	1	LINER, FLEXIBLE	
4	+	890160-25560	1	LABEL, CAUTION	
5		C506-000002	1	SHAFT, FLEXIBLE	
6		694000-12050	1	COVER ASY, ROTOR	
7	+	900100-06020	1	BOLT 6*20	
8	+	900605-00006	1	WASHER, SPRING 6	
9	+	900600-00006	1	WASHER 6	
10	+	900500-00006	1	NUT 6	
12		C649-000120	1	HOOK	